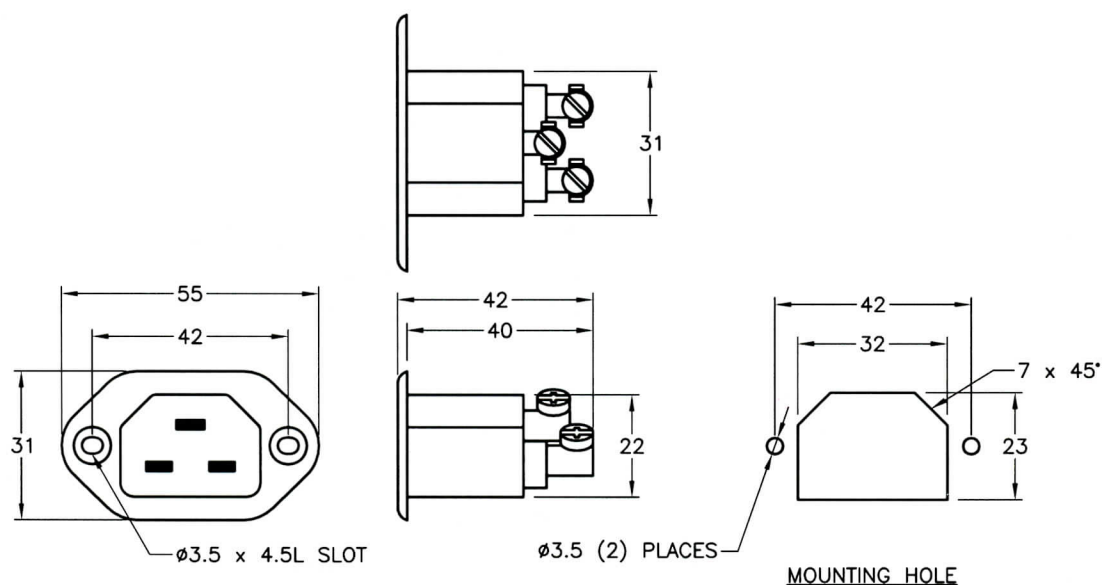


| | |
|----------------|--|
| APPROVALS | ENEC <input checked="" type="checkbox"/> VDE <input checked="" type="checkbox"/> |
| CERTIFICATIONS | CE <input checked="" type="checkbox"/> ROHS <input checked="" type="checkbox"/> |
| STANDARDS | EN 60320, C22 <input checked="" type="checkbox"/> |

WEEE NOT APPLICABLE

ALL DIMENSIONS ARE IN MILLIMETERS



| SPECIFICATIONS | |
|--------------------|--|
| TEMPERATURE RATING | 200°C (392°F) CONSTANT, 300°C (572°F) SHORT TERM |
| CURRENT RATING | 16 AMPERE |
| VOLTAGE RATING | 250 VOLT AC |
| CONTACTS | 2 POLE 3 WIRE GROUNDING |
| STANDARD | EN 60 320, C22 |
| MATERIALS | - PORCELAIN TERMINAL BASE, METAL SHELL, CuZn 37 TERMINALS |
| REMARKS | - BARREL (PILLAR) SCREW TERMINALS (1.0-2.5mm ² COND.) - IP XX RATING |
| NOTE | SPECIFICATIONS SUBJECT TO CHANGE WITHOUT NOTICE |

| TITLE | | | |
|---|------------|-----------|-----|
| FLAT PIN HEATER CONNECTOR, PORCELAIN TERMINAL BASE, METAL SHELL, BARREL SCREW TERMINALS | | | |
| SCALE | DATE | PART NO. | REV |
| NONE | 09-04-2012 | 111-10420 | - |