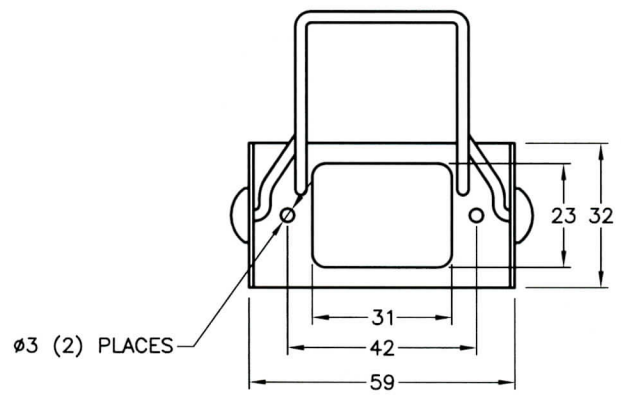
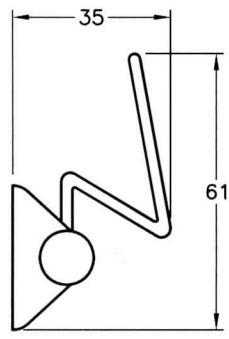
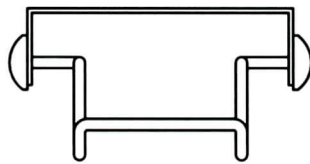


ALL DIMENSIONS ARE IN MILLIMETERS



SPECIFICATIONS

TEMPERATURE RATING	--
CURRENT RATING	--
VOLTAGE RATING	--
CONTACTS	--
STANDARD	--
MATERIALS	--
REMARKS	FITS INLETS #111-10160, 111-10165, 111-10170, 111-10175, 111-10410, 111-10415
NOTE	SPECIFICATIONS SUBJECT TO CHANGE WITHOUT NOTICE

TITLE			
LOCKING BALE, SECURES CONNECTORS TO INLETS			
SCALE	DATE	PART NO.	REV
NONE	09-21-2006	111-10190	-